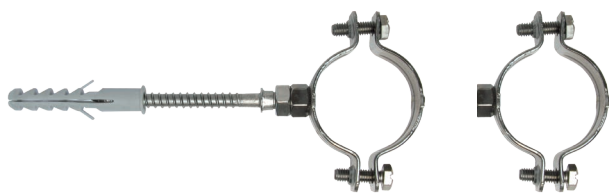


Vorpa VRM - VR inox A2

Steel pipe clamp

products group



VRM INOX A2
A2 Stainless steel clamp with wall plastic plug and double threaded screw

VR INOX A2
A2 Stainless steel clamp

- Suitable for**
- concrete
 - natural stone
 - solid brick

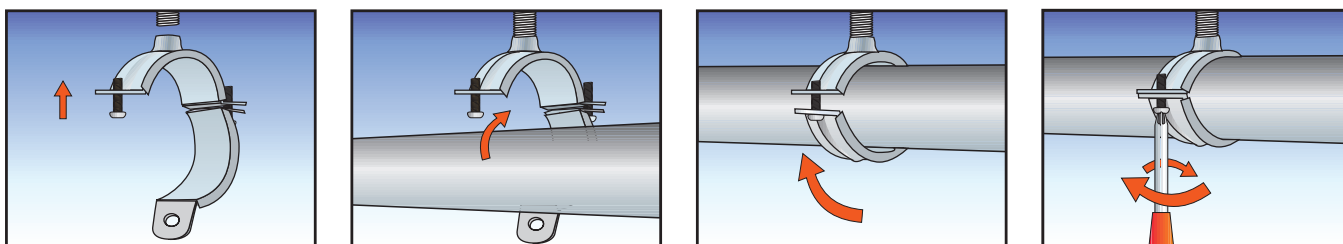
- To fix**
- industrial plants
 - plumbing and heating systems
 - run water vapor systems
 - coastal areas
 - food industries
 - plants on farms
 - sewage plants
 - shipyards plants



A2 stainless steel clamps for iron pipes, flues, air ducts

Ideal corrosion protection

installation sequence



Clean the hole before the installation

Examples of applications



cladding and pipe fixings



Vorpa VRM - VR inox A2

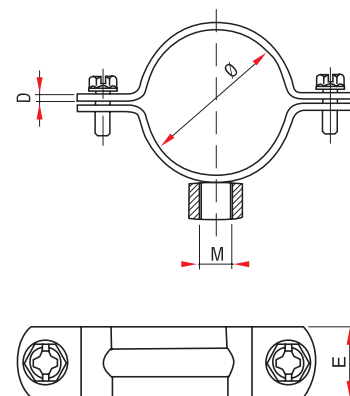
Steel pipe clamp

product code and technical data

VR INOX A2 Stainless steel clamp



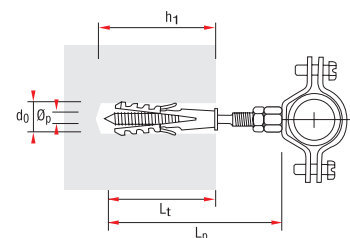
Code	Description	Nominal diameter	E x D	M x L _p mm	Side screws	d ₀ x L _t mm	h ₁ mm
3410	VR INOX A2 steel clamp	16-20	3/8	20x1,5	M8	6x20	
3411	VR INOX A2 steel clamp	18-24	1/2	20x1,8	M8	6x20	
3412	VR INOX A2 steel clamp	25-30	3/4	20x1,8	M8	6x20	
3413	VR INOX A2 steel clamp	30-36	1"	20x1,8	M8	6x20	
3414	VR INOX A2 steel clamp	38-44	1" 1/4	20x1,8	M8	6x20	
3415	VR INOX A2 steel clamp	44-50	1" 1/2	20x1,8	M8	6x20	
3416	VR INOX A2 steel clamp	56-62	2"	20x1,8	M8	6x20	
3417	VR INOX A2 steel clamp	76-80	2" 1/2	24x1,5	M10	6x30	
3418	VR INOX A2 steel clamp	90-100	3"	24x1,5	M10	6x40	
3421	VR INOX A2 steel clamp	100-110	100-110	24x1,5	M10	6x40	
3419	VR INOX A2 steel clamp	110-120	4"	24x1,5	M10	6x40	
3420	VR INOX A2 steel clamp	125-130	125-130	24x1,5	M10	6x40	
3422	VR INOX A2 steel clamp	140-150	5"	24x1,5	M10	6x40	
3423	VR INOX A2 steel clamp	152-160	6"	24x1,5	M10	6x40	
3427	VR INOX A2 steel clamp	180	180	24x1,5	M10	6x30	
3424	VR INOX A2 steel clamp	200	200	30x1,5	M10	6x30	
3428	VR INOX A2 steel clamp	220	220	30x1,5	M10	6x30	
3425	VR INOX A2 steel clamp	250	250	30x1,5	M10	6x30	
3426	VR INOX A2 steel clamp	300	300	30x1,5	M10	6x30	
3429	VR INOX A2 steel clamp	350	350	30x2	M10	6x30	
3430	VR INOX A2 steel clamp	400	400	30x2	M10	6x30	



VRM INOX A2 Stainless steel clamp with wall plastic plug and double threaded screw



Code	Description	Nominal diameter	E x D	M x L _p mm	Side screws	d ₀ x L _t mm	h ₁ mm	
3210	VRM INOX A2 SS with plug	16-20	3/8	20x1,5	M8x90	6x20	10x60	80
3211	VRM INOX A2 SS with plug	18-24	1/2	20x1,8	M8x90	6x20	10x60	80
3212	VRM INOX A2 SS with plug	25-30	3/4	20x1,8	M8x90	6x20	10x60	80
3213	VRM INOX A2 SS with plug	30-36	1"	20x1,8	M8x90	6x20	10x60	80
3214	VRM INOX A2 SS with plug	38-44	1" 1/4	20x1,8	M8x90	6x20	10x60	80
3215	VRM INOX A2 SS with plug	44-50	1" 1/2	20x1,8	M8x90	6x20	10x60	80
3216	VRM INOX A2 SS with plug	56-62	2"	20x1,8	M8x90	6x20	10x60	80
3217	VRM INOX A2 SS with plug	76-80	2" 1/2	24x1,5	M10x120	6x30	12x60	80
3218	VRM INOX A2 SS with plug	90-100	3"	24x1,5	M10x120	6x40	12x60	80
3222	VRM INOX A2 SS with plug	100-110	100-110	24x1,5	M10x120	6x40	12x60	80
3219	VRM INOX A2 SS with plug	110-120	4"	24x1,5	M10x120	6x40	12x60	80
3220	VRM INOX A2 SS with plug	125-130	125-130	24x1,5	M10x120	6x40	12x60	80
3221	VRM INOX A2 SS with plug	140-150	5"	24x1,5	M10x120	6x40	12x60	80
3223	VRM INOX A2 SS with plug	152-160	6"	24x1,5	M10x120	6x40	12x60	80
3227	VRM INOX A2 SS with plug	180	180	24x1,5	M10x120	6x30	12x60	80
3224	VRM INOX A2 SS with plug	200	200	30x1,5	M10x120	6x30	12x60	80
3228	VRM INOX A2 SS with plug	220	220	30x1,5	M10x120	6x30	12x60	80
3225	VRM INOX A2 SS with plug	250	250	30x1,5	M10x120	6x30	12x60	80
3226	VRM INOX A2 SS with plug	300	300	30x1,5	M10x120	6x30	12x60	80



- d₀ = Hole diameter
- h₁ = Min. hole depth
- L_t = Anchor length
- L_p = Pin length
- E x D = Width x thickness
- M = Thread

- always check load bearing capacity values in the table
- respect the installation data
- clean the hole before the installation

VRM - VR

Pipe size	daN
Axial recommended load	1 daN=1 kg
3/8"	70
1/2" - 2"	80
2 1/2" - 300	70
350 - 400	80